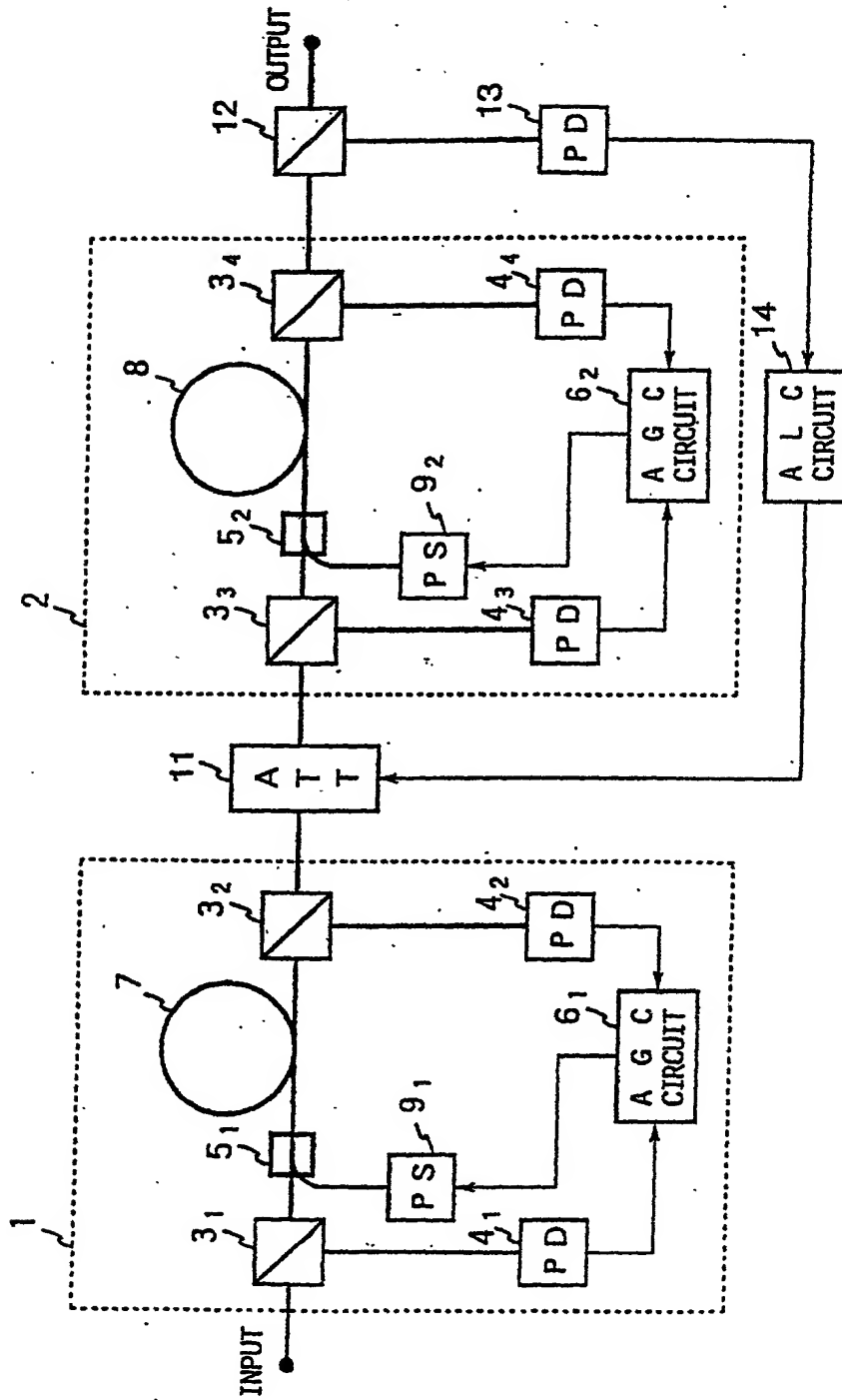


Patented by the U.S. Patent Office under the provisions of the Act of March 3, 1909, authorized by the Act of October 3, 1917, approved October 3, 1917, and extended by the Act of August 8, 1960, approved August 8, 1960, and the Act of October 3, 1962, approved October 3, 1962.

FIG. 1



Small vertical text on the left margin, possibly a page number or reference code.

FIG. 2

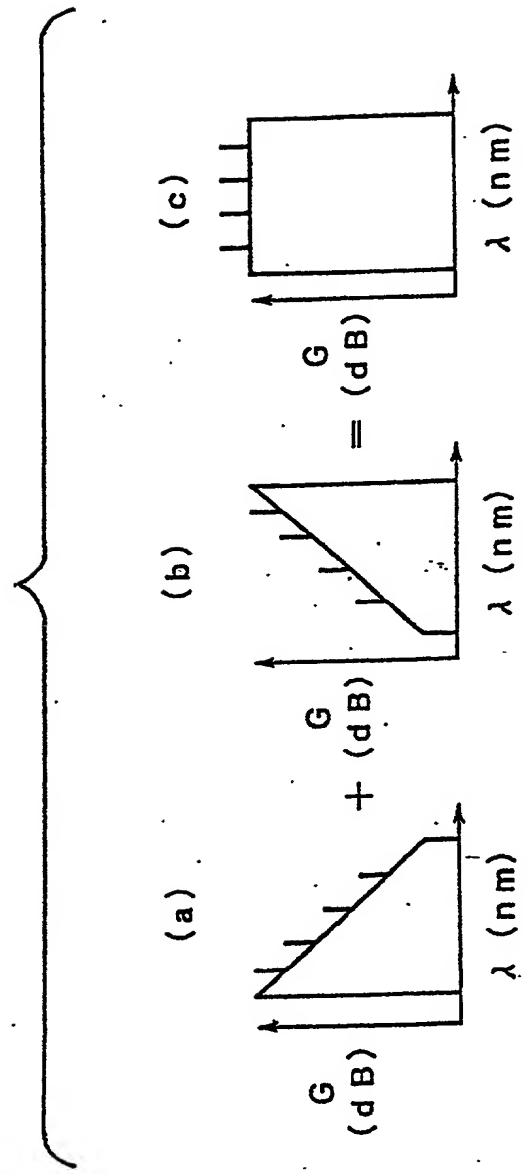


FIG. 3

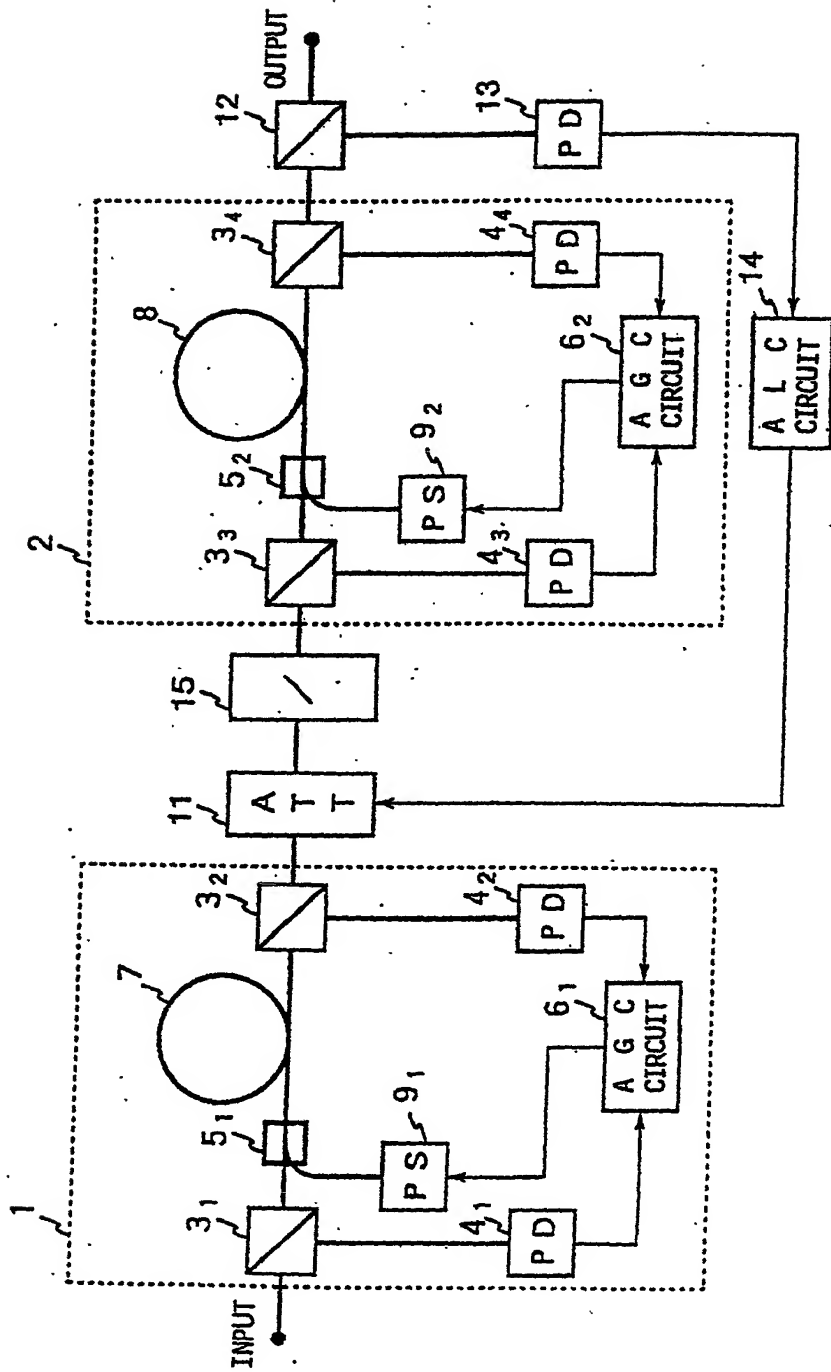


FIG. 4

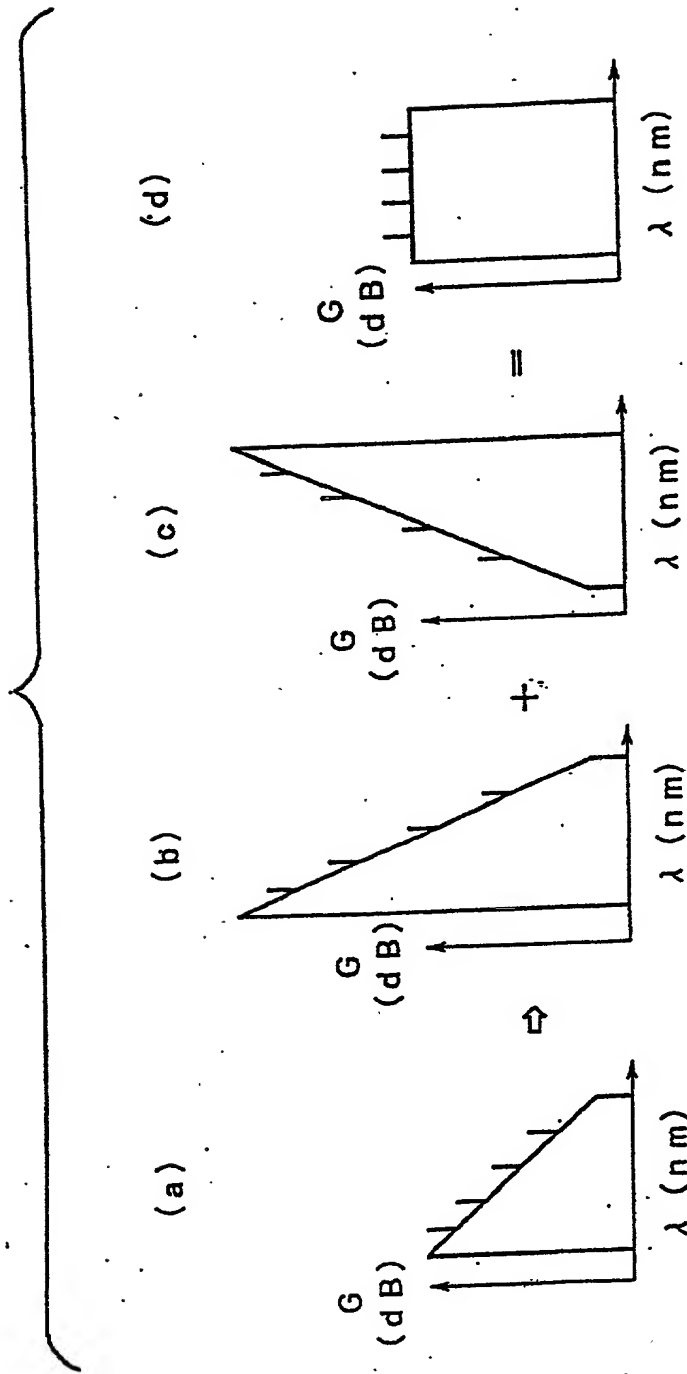


FIG. 5

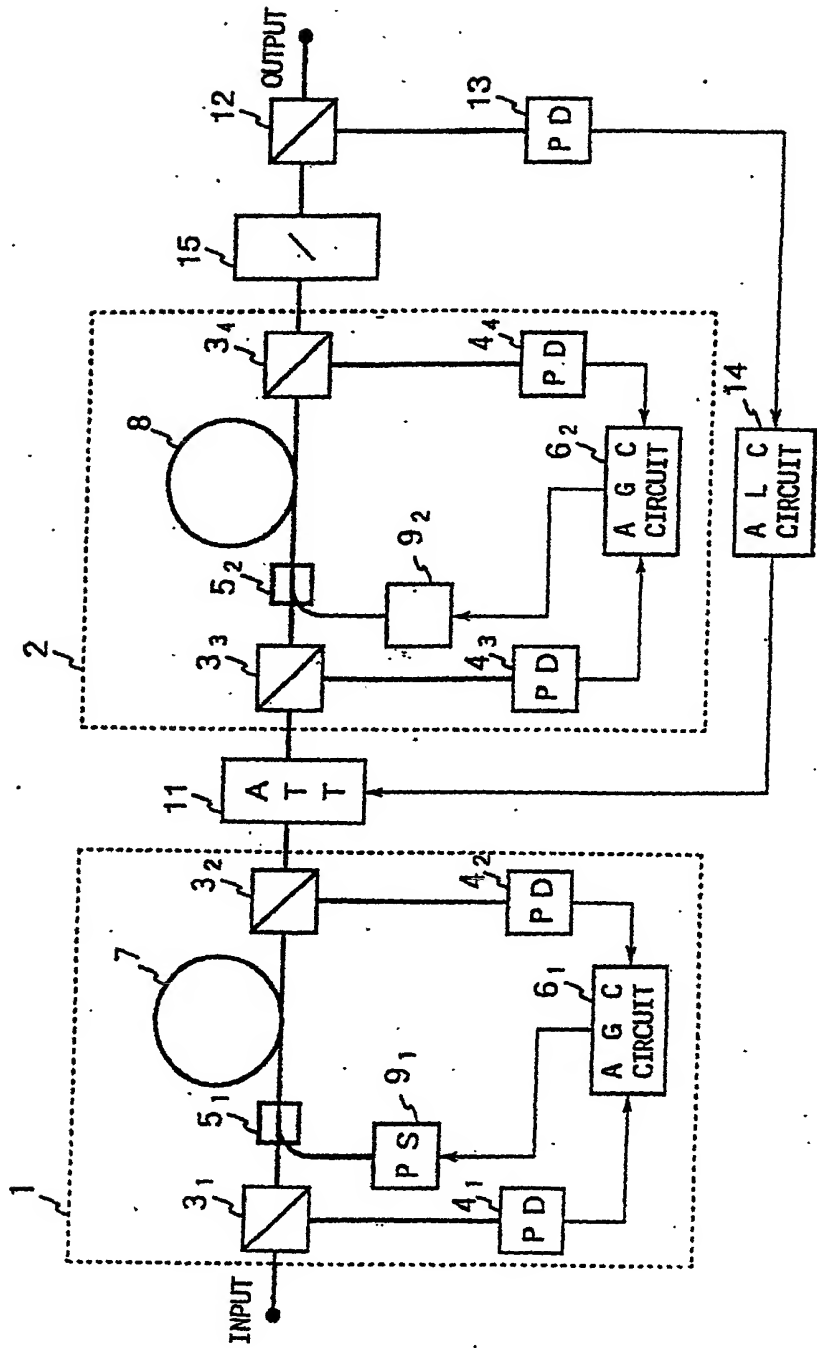


FIG. 7A

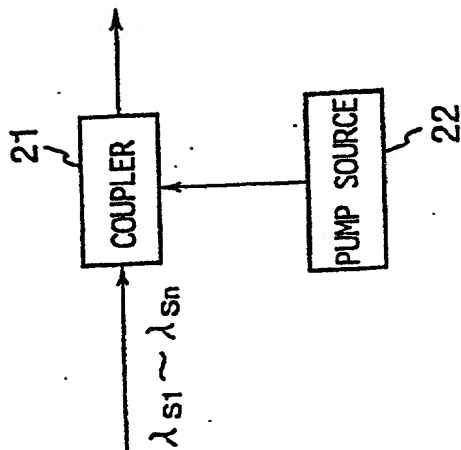
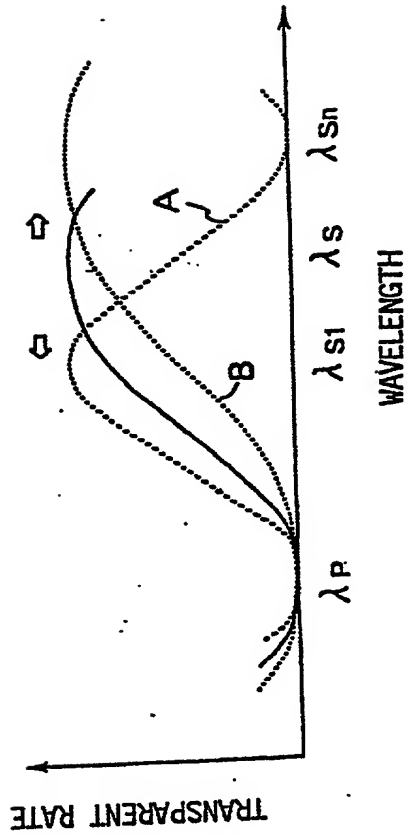
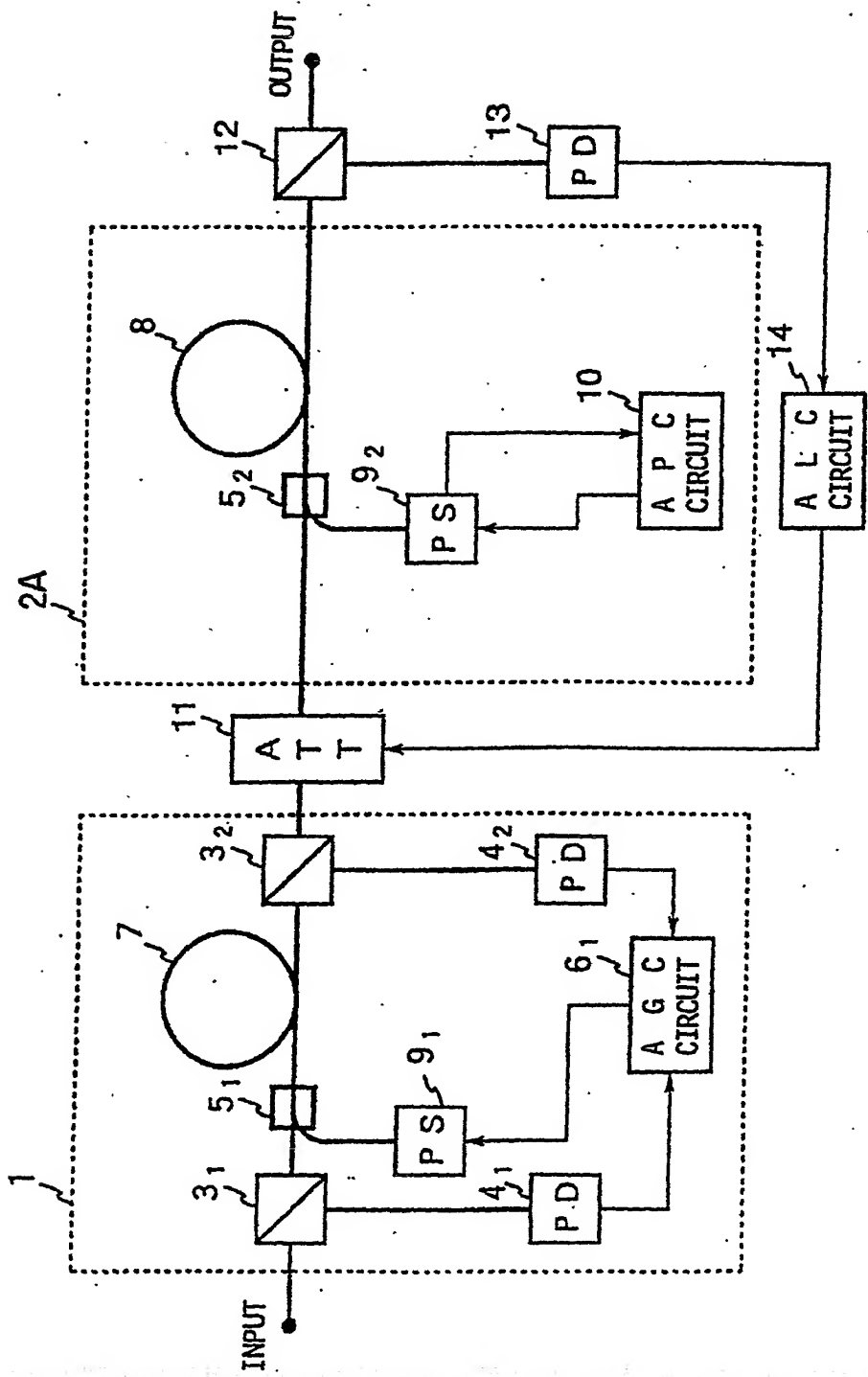


FIG. 7B



Small vertical text on the left margin, possibly a page number or reference code.

FIG. 8



Patent Office of the United States Department of Commerce
Patent Office of the United States Department of Commerce
Patent Office of the United States Department of Commerce

FIG. 9

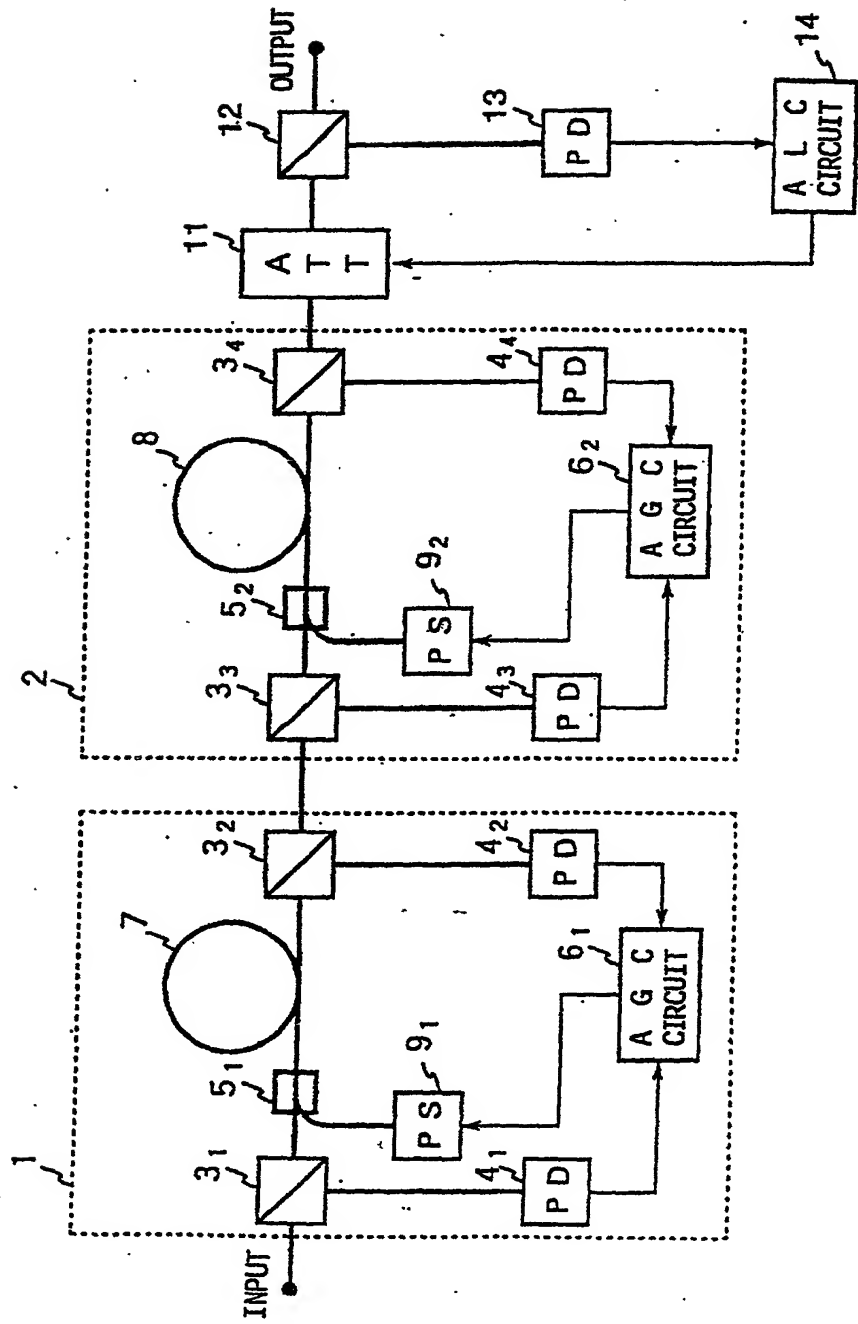


FIG. 10

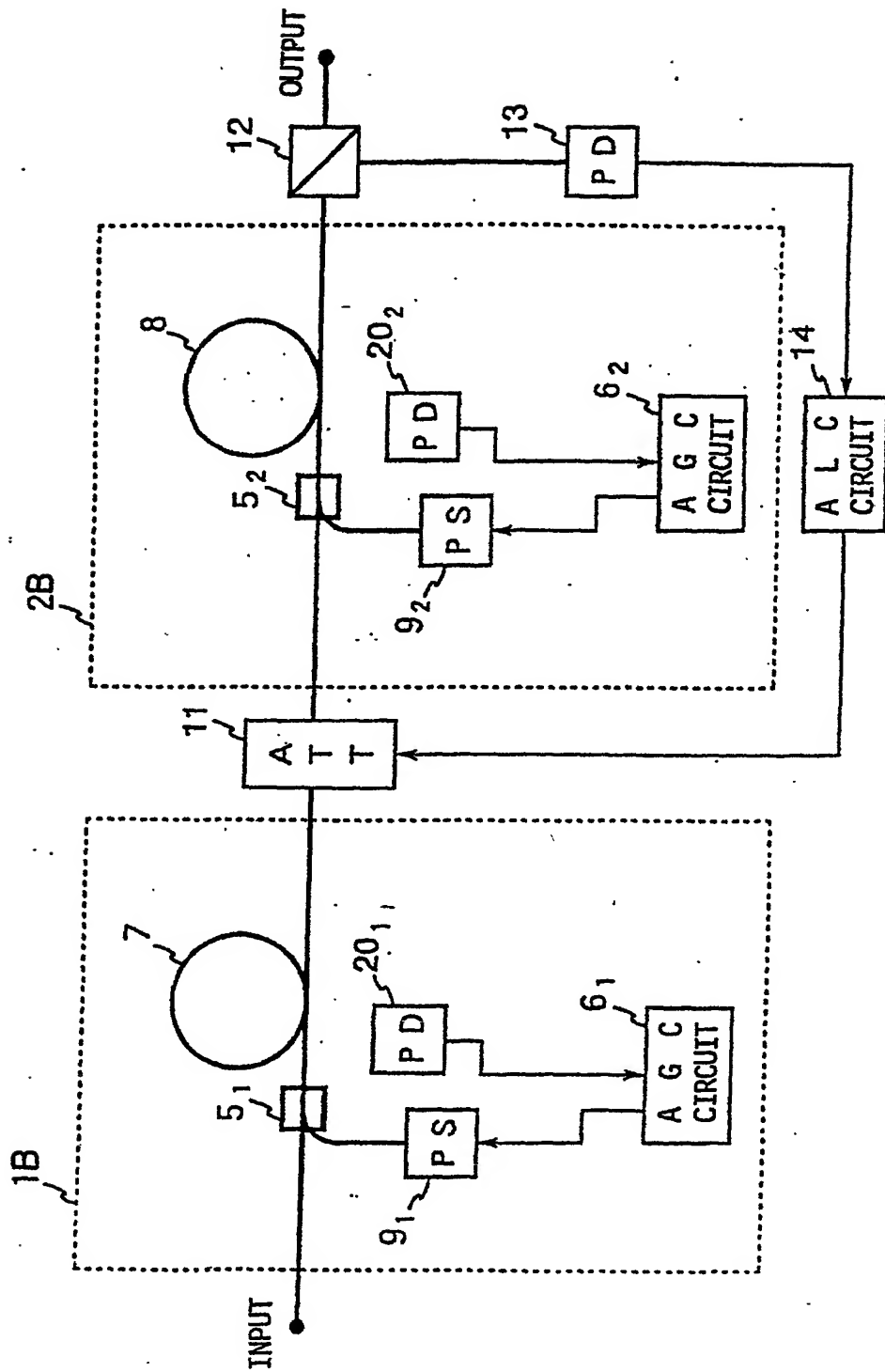
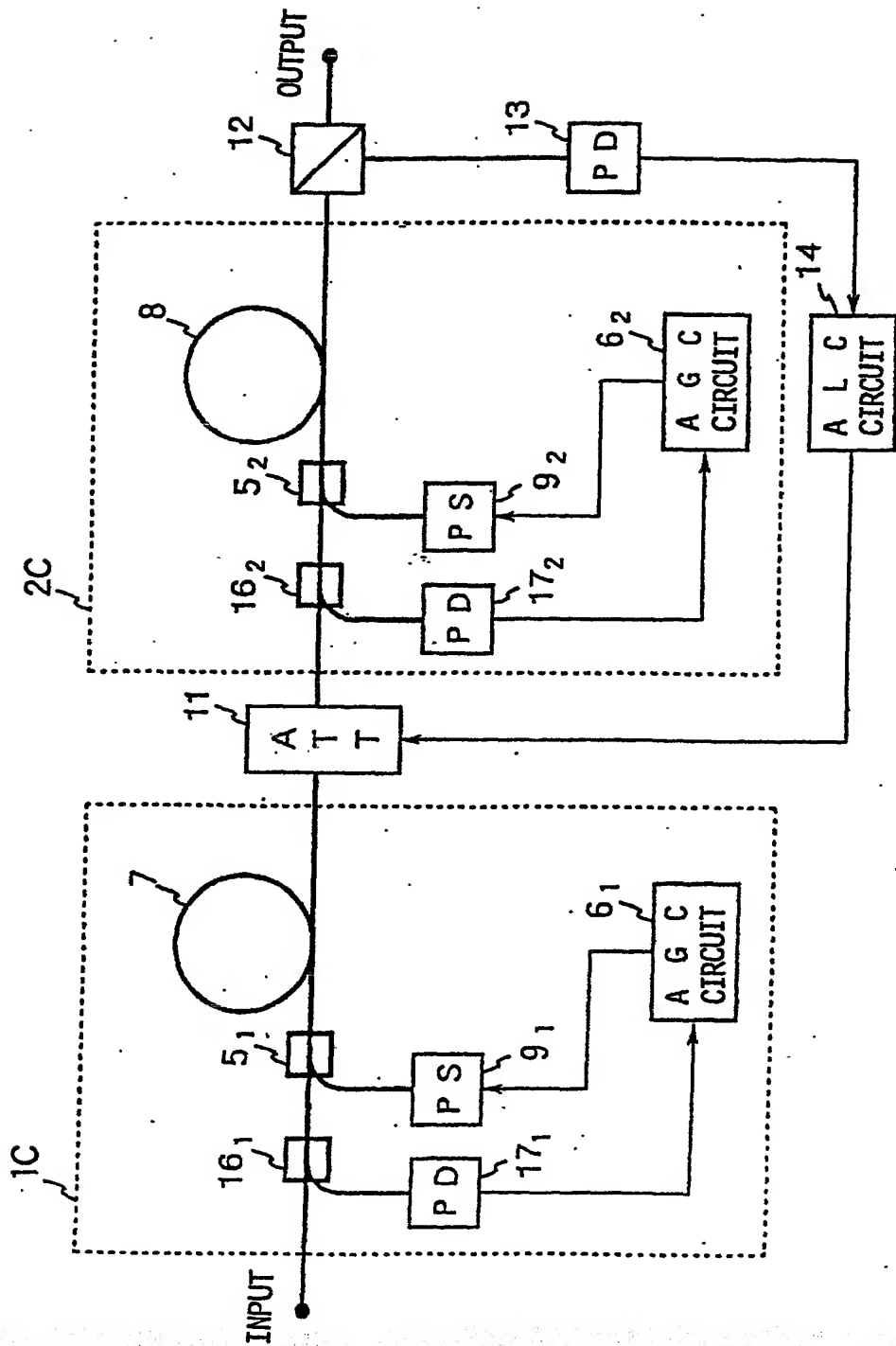
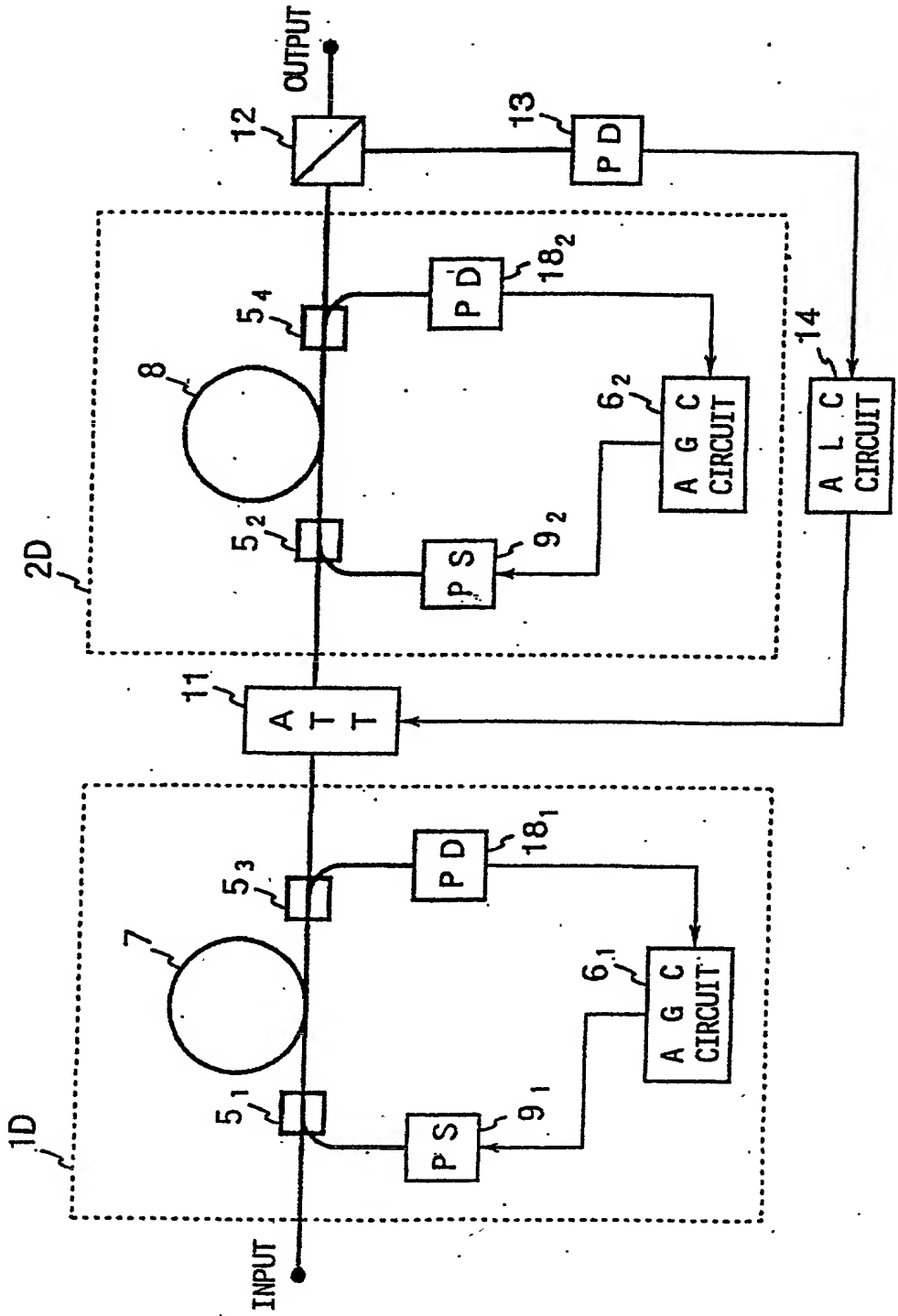


FIG. 11



Patent Office of the United States Department of Commerce

FIG. 12



THIS DOCUMENT IS UNCLASSIFIED DATE 08-28-2001 BY 60322 UCBAW/SJS/STP

FIG. 13

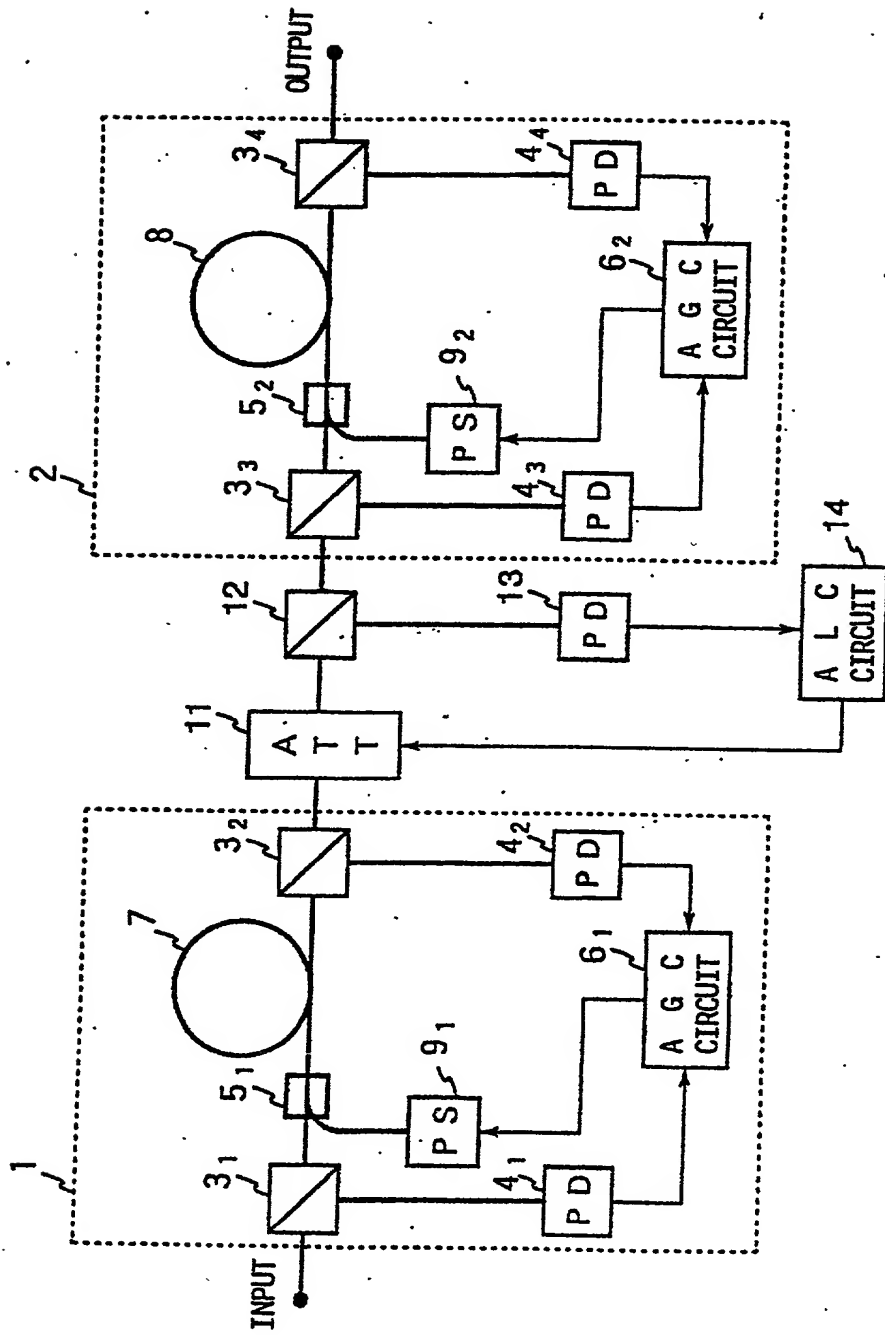
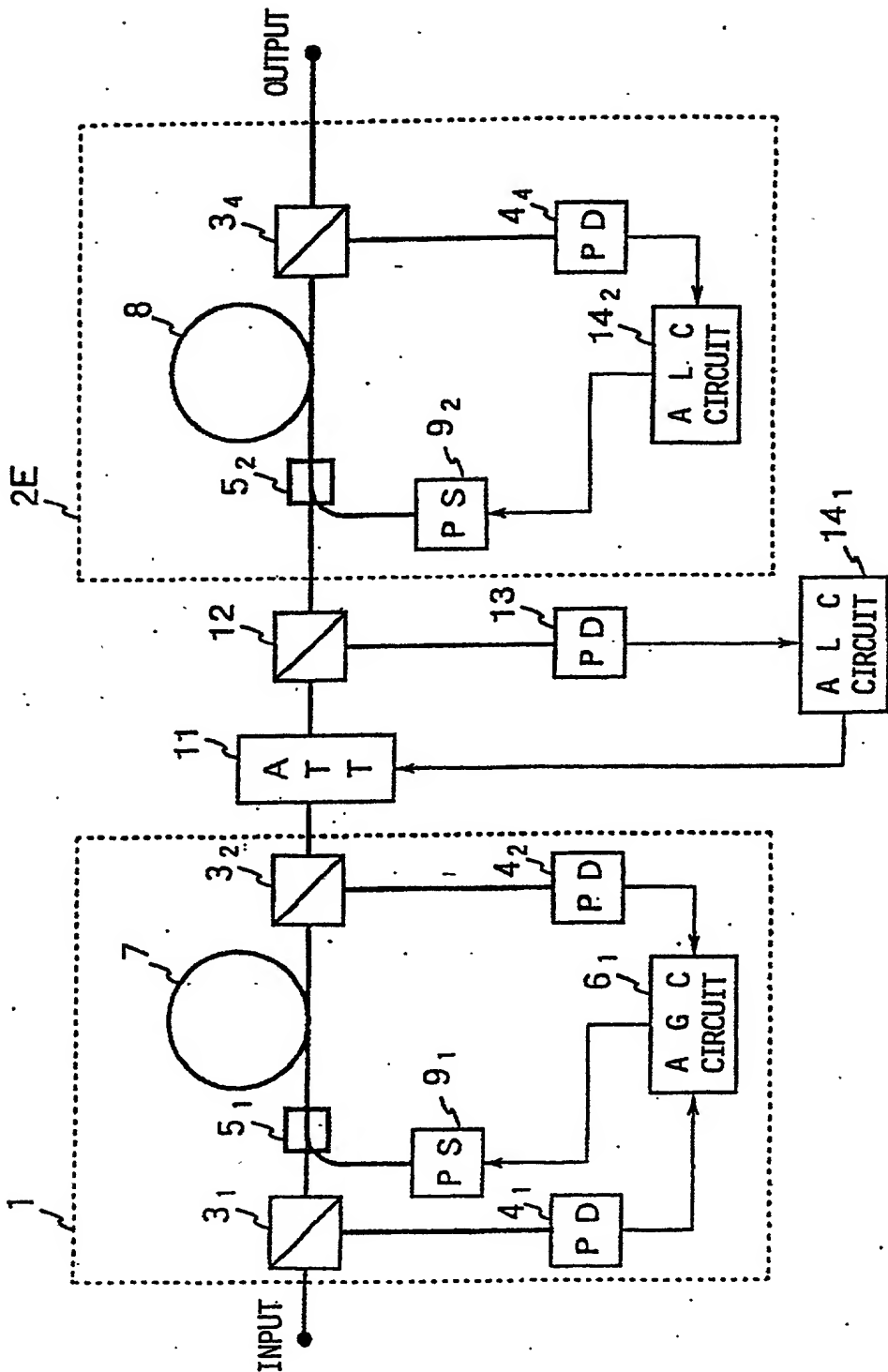


FIG. 14



Patented by the U.S. Patent Office under Patents 2,800,000 and 2,800,001. This device is a part of the "Optical Communication System" of the same inventor.

FIG. 15

